

Switchgear type RKS10-4U

for rated voltage 1000V



Patent no.
P.405145

The transformer station type RKS10-4U is a device designed for use in underground mining in excavations with no explosion hazard or in conditions with no methane explosion hazard and designated as class A coal dust explosion hazard.

Switchgear type RKS10-4U is designed for connecting and switching on receivers in the 3-phase mine grid with insulated star point on the transformer (system IT) of rated grid voltage of 1000V.

Receivers are being connected to the switchgear via buried socket or terminal strip via cable glands.

The switchgear is equipped with electrical power protections against short-circuiting, overloading (option), low insulation resistance and an increase in earth resistance.

TECHNICAL DATA:

Ingress protection	IP54
Rated supply voltage	1000V, 50 Hz
Maximum outlet load current	acc. Tab.1
Number of 1000 V outlets	4
Dimensions/Weight	
• hanging switchgear (or for low beds)	920(1120) x 1000 x 330mm(H x W x D)/85kg
• "caged" hanging switchgear	1100(1300) x 1000 x 370mm(H x W x D)/95kg

Table 1

Switchgear type	Maximum outlet rated current [A]				Rated current of clamps from the supply side (Inz) [A]
	Outlets				
	I	II	III	IV	
RKS10-4U	90	32	32	90	400

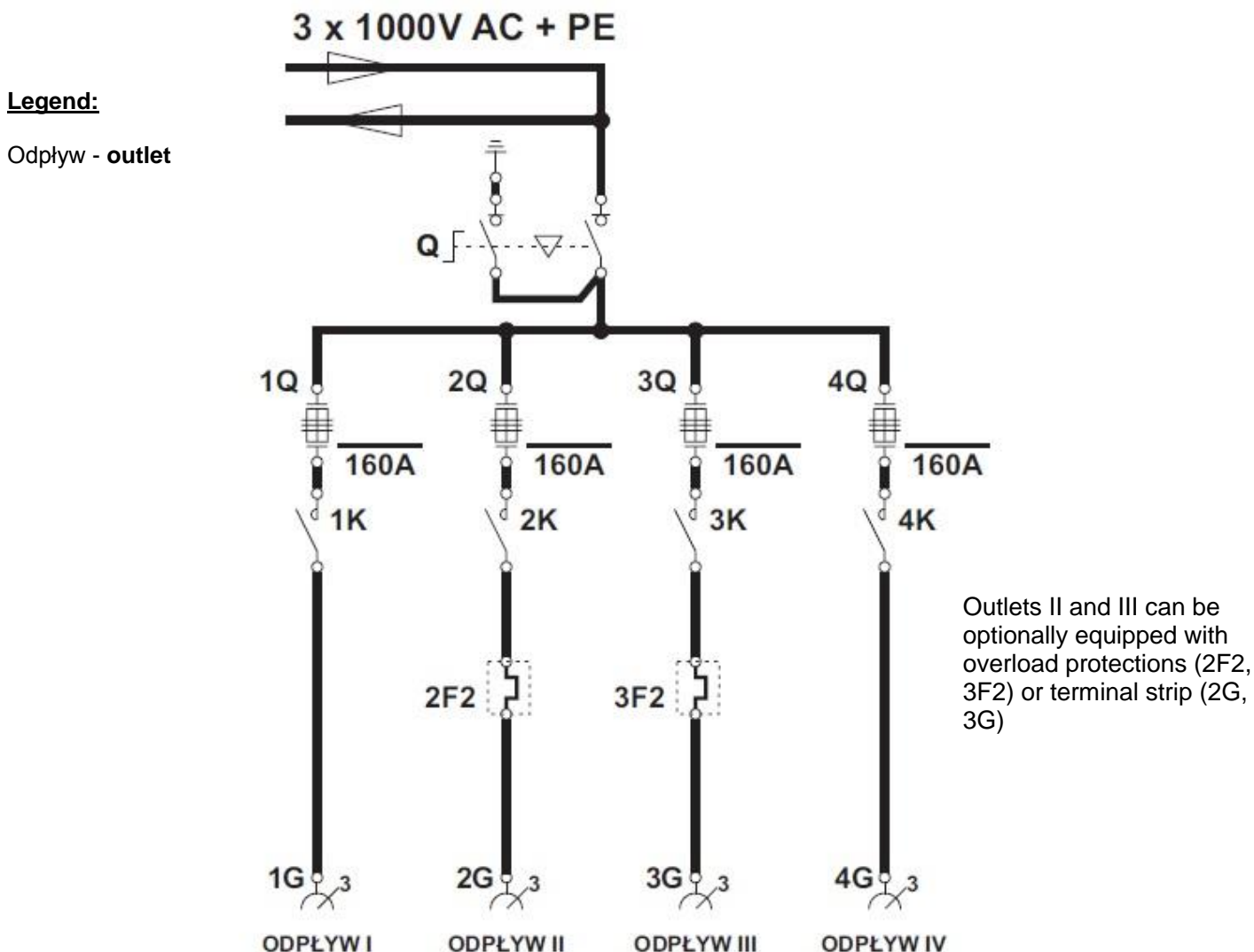
CONSTRUCTION

The switchgear housing is made of steel sheets. It was designed and constructed in a way that allows mounting hooks and chains used to hang the device or weld it or screw it to connect to another construction.

MODE OF OPERATION

The switchgear can operate in two control modes: LOCAL and REMOTE. Control of outlets II and III is carried out from face of the switchgear, control of outlets I and IV is carried out from face of the switchgear or remotely from the SMG (Self-propelled mining machine).

SCHEMATIC DIAGRAM



Orders should be submitted in writing or by fax to the address:

 **Instal-Service PL**

Spółka z ograniczoną odpowiedzialnością
Spółka komandytowa

58-506 Jelenia Góra, ul. Wrocławska 15a
tel. (+48 075) 64-57-950
fax. (+48 075) 64-57-951
e-mai: instal@instal-service.pl